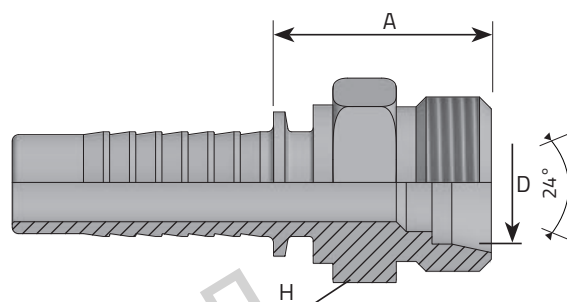




METRIC MALE 24° CONE - L TYPE (2)

MASCHIO METRICO 24° DKOL
 MÂLE MÉTRIQUE CÔNE 24° - SÉRIE L
 CEL 24° KONUS METRISCH
 MACHO MÉTRICO CONO 24° - SERIE L



Code	Tube		Thread	Dimensions			Pressure		
	D.N.	Hose		Diam	T	D	H	A	Bar
		Inch	mm	mm	mm	mm	mm		
ME1030L22	-10	5/8"	16	M30 x 2	22	32	31.5	160	2320
ME1226L18	-12	3/4"	19	M26 x 1.5	18	27	29	160	2320
ME1230L22	-12	3/4"	19	M30 x 2	22	32	32	160	2320
ME1636L28	-16	1"	25.4	M36 x 2	28	38	40	100	1450
ME2045L35	-20	1.1/4"	31.8	M45 x 2	35	46	41.5	100	1450
ME2452L42	-24	1.1/2"	38.1	M52 x 2	42	55	40	100	1450